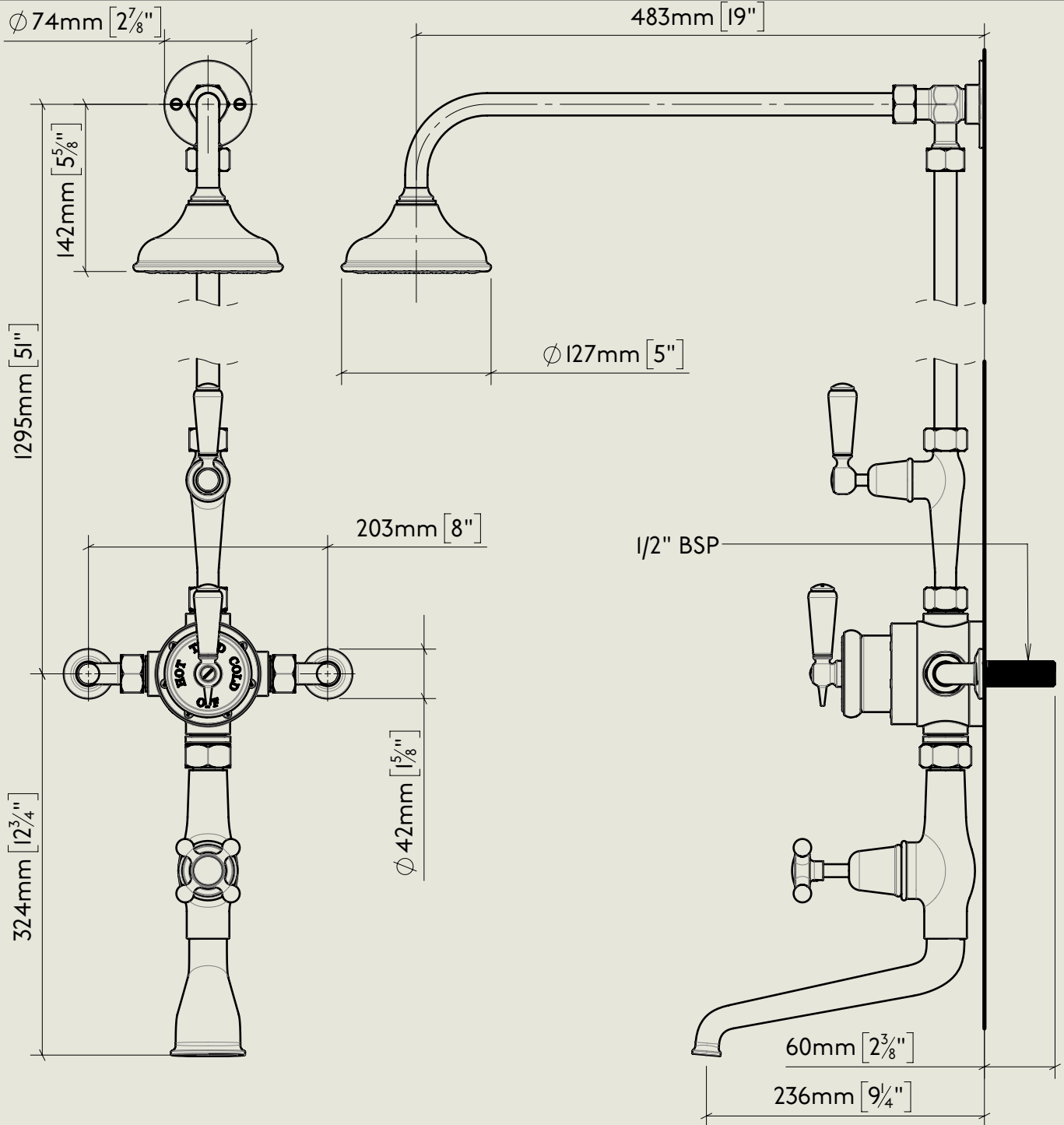




BY APPOINTMENT TO  
HER MAJESTY QUEEN ELIZABETH II  
MANUFACTURE OF KITCHEN & BATHROOM TAPS & MIXERS  
BARBER WILSONS & CO. LTD  
LONDON

LONDON **BARBER WILSONS & CO** EST. 1905



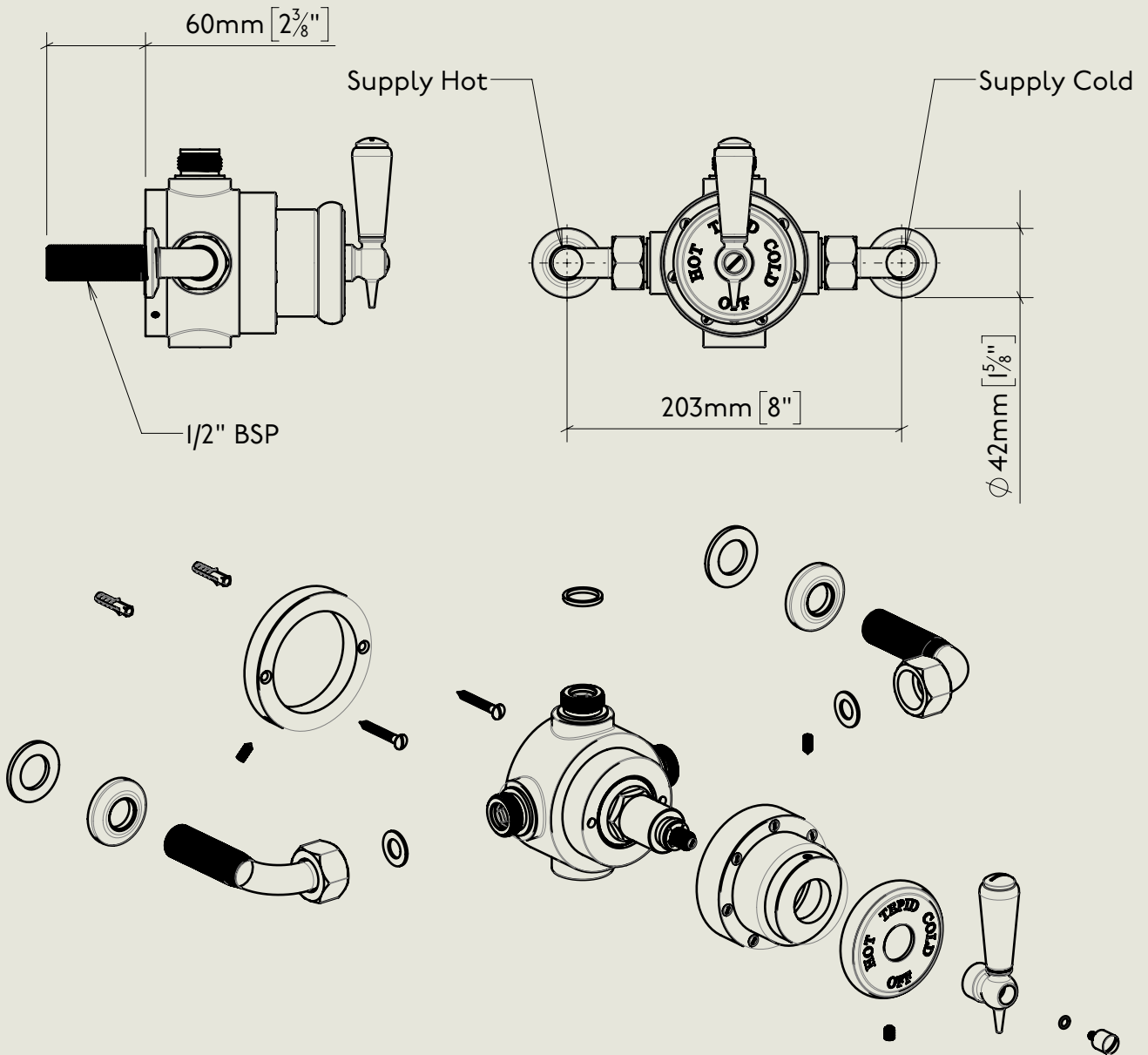
American adapters fitted as standard when purchased via BW&Co USA

|                                     |  |                 |
|-------------------------------------|--|-----------------|
| <p>Model No.<br/>RCL5700BA-1900</p> | <p>Description<br/>Regent China Lever 5700BA, 1900's Style<br/>Exposed Thermostatic Dual Control<br/>Shower/Bath Filler, 1/2" BSP Tail Inlet</p> | <p>Complete</p> |
|-------------------------------------|--|-----------------|



BY APPOINTMENT TO  
HER MAJESTY QUEEN ELIZABETH II  
MANUFACTURE OF KITCHEN & BATHROOM TAPS & MIXERS  
BARBER WILSONS & CO. LTD  
LONDON

LONDON **BARBER WILSONS & CO** EST. 1905



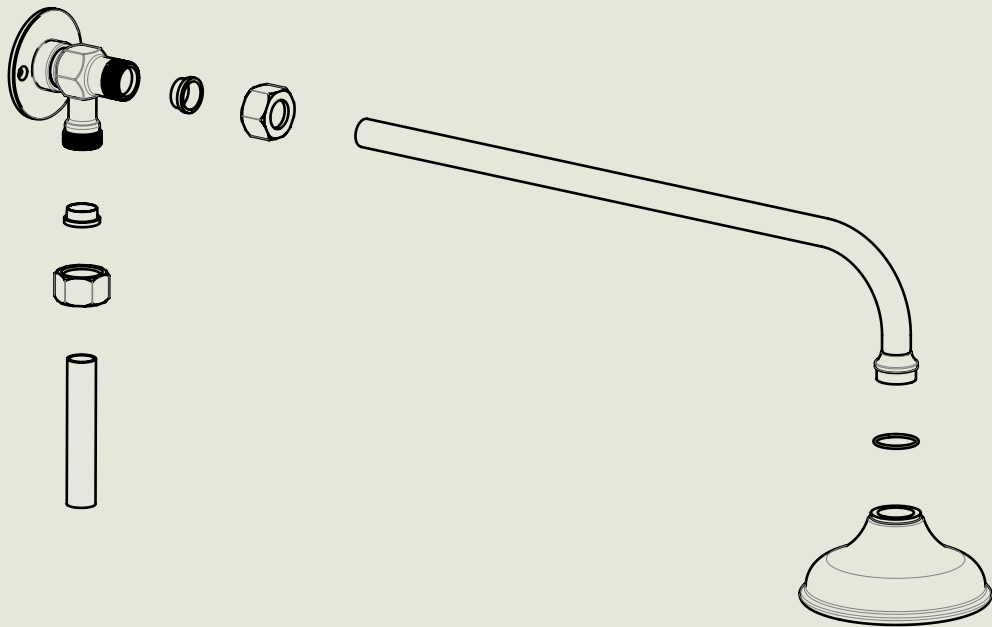
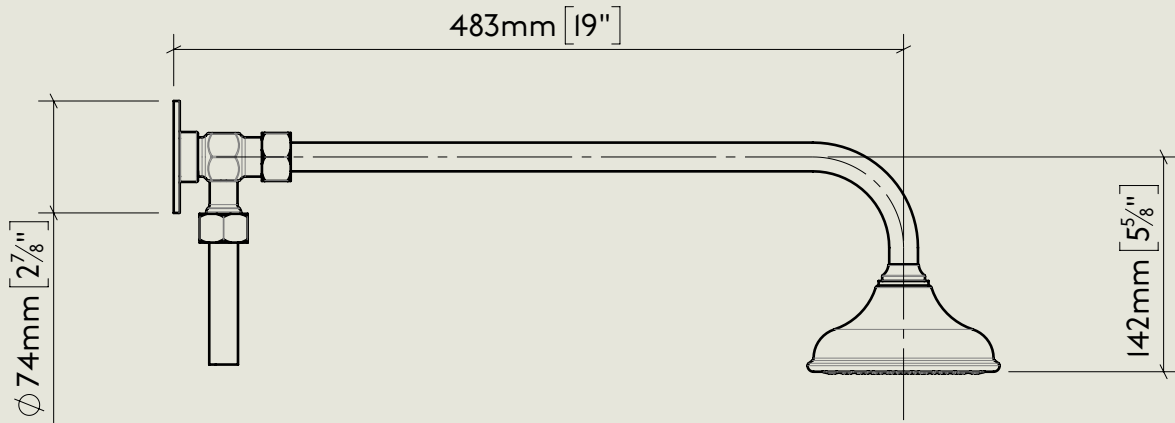
American adapters fitted as standard when purchased via BW&Co USA

|                                 |   |                   |
|---------------------------------|---|-------------------|
| <p>Model No.<br/><br/>RPS53</p> | <p>Description<br/><br/>Regent PS53<br/>Exposed Regent Thermostatic Shower Valve,<br/>1/2" BSP Tail Inlet</p> | <p>Thermostat</p> |
|---------------------------------|---|-------------------|



BY APPOINTMENT TO  
HER MAJESTY QUEEN ELIZABETH II  
MANUFACTURE OF KITCHEN & BATHROOM TAPS & MIXERS  
BARBER WILSONS & CO. LTD  
LONDON

LONDON BARBER WILSONS & CO EST. 1905



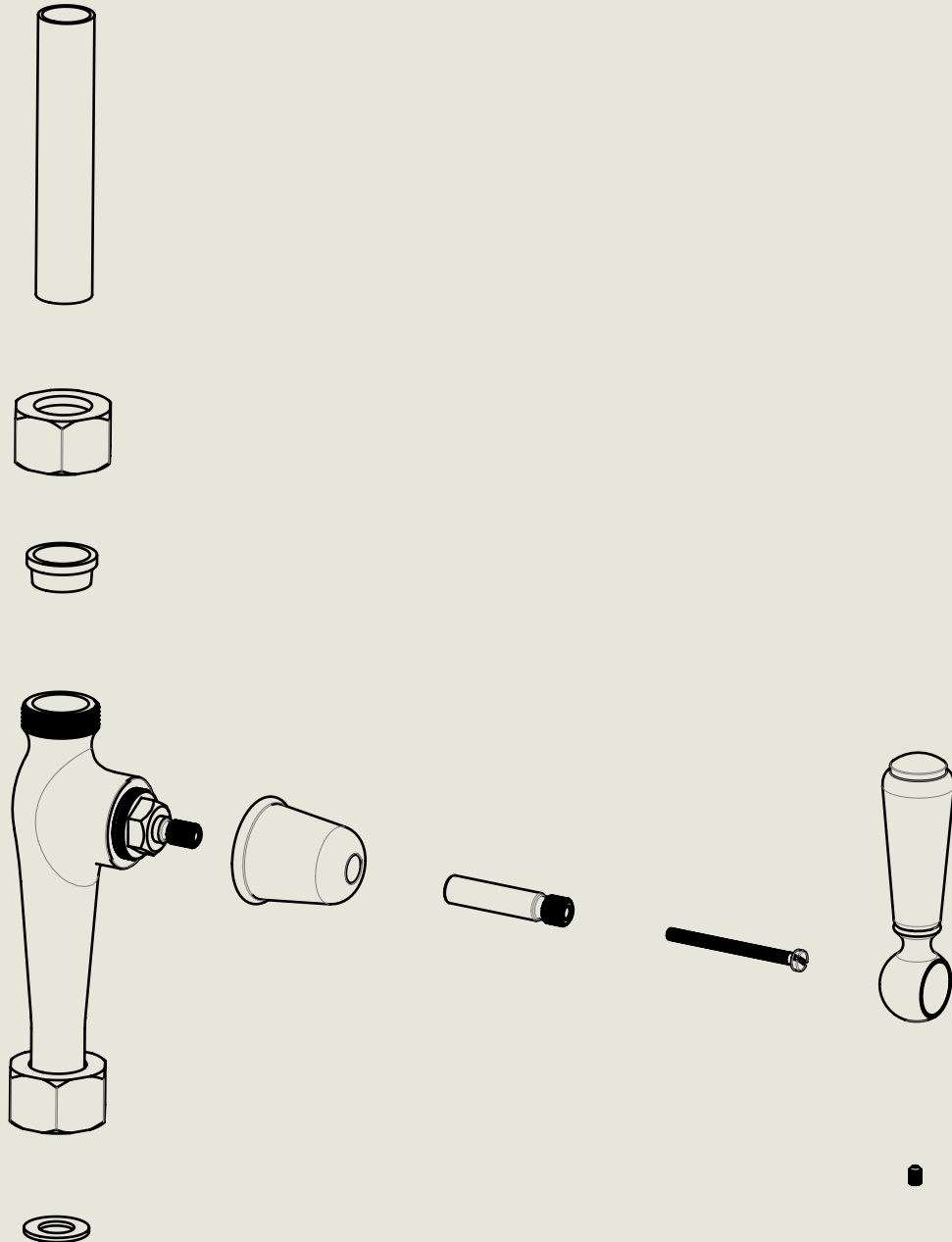
American adapters fitted as standard when purchased via BW&Co USA

| Model No.          | Description  |          |
|--------------------|--|----------|
| PS40A-PS29S / PS10 | Exposed Back Plate and Seventeen and a Half Inch Shower Arm with Fixed Drench Head Rose 5" | Headwork |



BY APPOINTMENT TO  
HER MAJESTY QUEEN ELIZABETH II  
MANUFACTURE OF KITCHEN & BATHROOM TAPS & MIXERS  
BARBER WILSONS & CO. LTD  
LONDON

LONDON BARBER WILSONS & CO EST. 1905



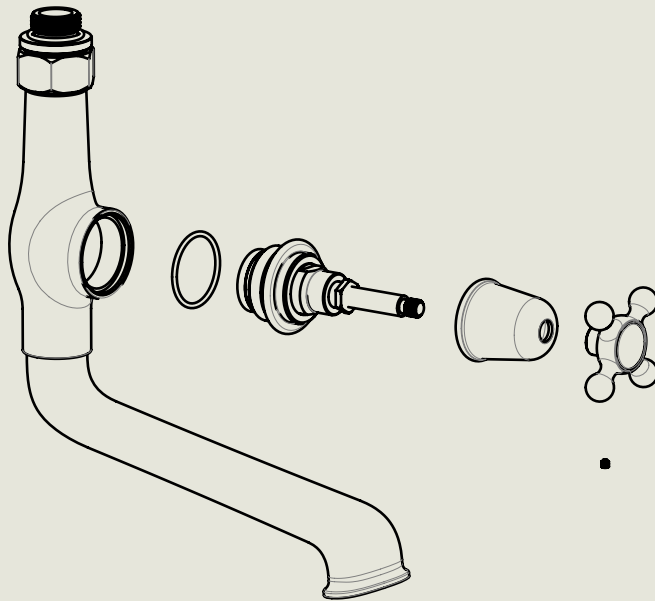
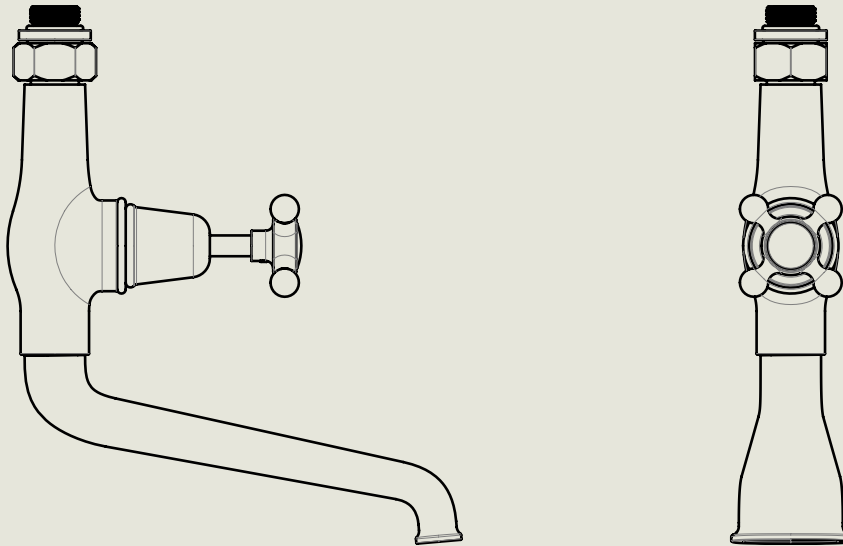
American adapters fitted as standard when purchased via BW&Co USA

| Model No. | Description                       |               |
|-----------|-----------------------------------|---------------|
| -         | Exposed Shower Control Valve 1900 | Control Valve |



BY APPOINTMENT TO  
HER MAJESTY QUEEN ELIZABETH II  
MANUFACTURE OF KITCHEN & BATHROOM TAPS & MIXERS  
BARBER WILSONS & CO. LTD  
LONDON

LONDON BARBER WILSONS & CO EST. 1905



American adapters fitted as standard when purchased via BW&Co USA

|           |                  |              |
|-----------|------------------|--------------|
| Model No. | Description      |              |
| -         | Bath Filler-1900 | Filler Spout |